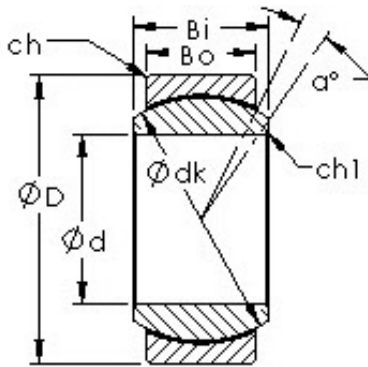




NTA PRECISION AXLE CORP.



AST GE15ET/X plain bearings

Bearing No. GE15ET/X

Bore Diameter	15 mm
Outer Diameter	26 mm
Bearing Type	plain
Bore Dia (d)	15.0000
Outer Dia (D)	26.0000
Outer Width (Bo)	9.0000
Inner Width (Bi)	12.0000
Dynamic Load Rating (Cr)	25,000
Static Load Rating (Cor)	59,000
Max. shaft corner radius, or 45 deg. chamfer (ch1)	0.300
Max. housing corner radius, or 45 deg. chamfer (ch)	0.300
Spherical Diameter (dk or Dk)	22.000
Mis-alignment Angle (a deg.)	8
Weight (g)	26.00
Material	Inner ring and outer ring made from stainless steel

GE15ET/X Bearing 2D drawings and 3D CAD models