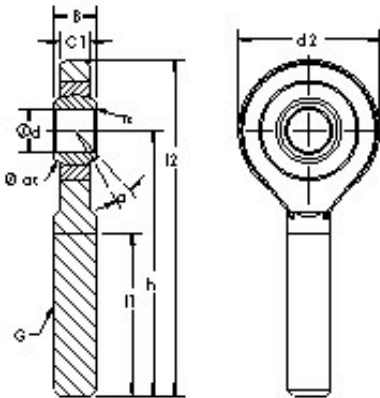




NTA PRECISION AXLE CORP.



AST SJK20C plain bearings

Bearing No. SJK20C

| | |
|---|-------------------------|
| Bore Diameter | 20 mm |
| Width | 25 mm |
| Bearing Type - steel-on-PTFE composite | steelonPTFE composite |
| Bore Dia (d) | 20.0000 |
| Width (B) | 25.0000 |
| Radius (min) (rs) | 0.600 |
| Dynamic Load Rating (Cr) | 34,000 |
| Static Load Rating (Cor) | 40,000 |
| Spherical Diameter (dk or Dk) | 34.930 |
| Mis-alignment Angle (a deg.) | 14 |
| Thread Length (l1) | 45.000 |
| Bore Center to End of Rod (h) | 78.000 |
| Rod Overall Length (l2) | 103.000 |
| Rod End Thickness (C1) | 18.500 |
| Bore Center to Body (l7) | 28 |
| Thread Size (G) | M20 X 1.5 |
| Rod End Width (d2) | 50.000 |
| Weight (g) | 400.00 |
| Material - Body - Carbon steel-zinc plated, Ball - Hardened chrome steel-chrome plated, Liner | PTFE composite material |

SJK20C Bearing 2D drawings and 3D CAD models